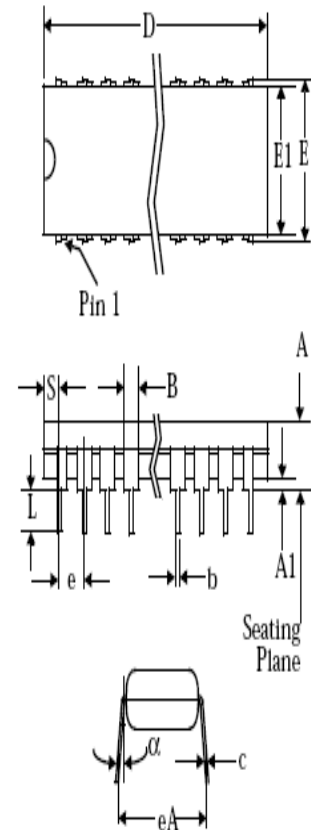




Plastic dual in-line package (PDIP)

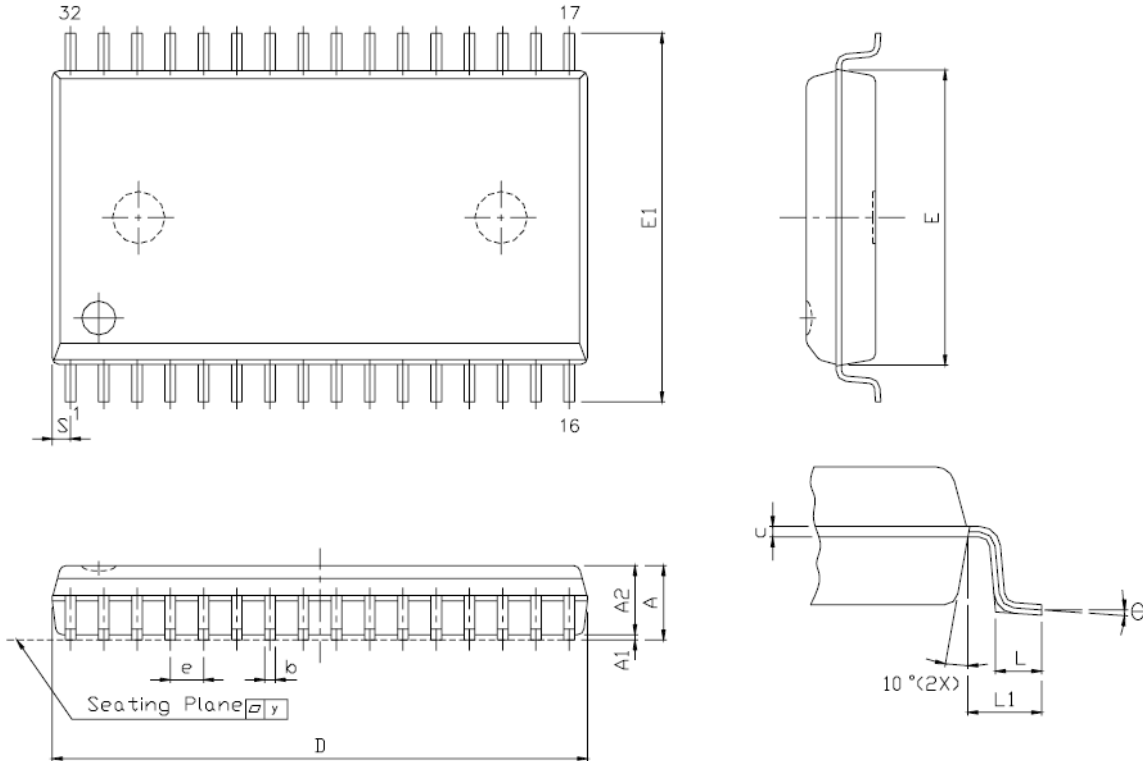
	20-pin 300 mil		28-pin 300 mil		32-pin 300 mil		32-pin 400 mil		32-pin 600 mil	
	Min	Max	Min	Max	Min	Max	Min	Max	Min	Max
A	-	0.175	-	0.180	-	0.180	-	0.200	-	0.220
A1	0.010	-	0.010	-	0.015	-	0.015	-	0.015	-
B	0.046	0.054	0.040	0.065	0.045	0.055	0.045	0.065	0.030	0.070
b	0.018	0.024	0.014	0.022	0.014	0.022	0.014	0.022	0.014	0.022
c	0.008	0.014	0.008	0.014	0.008	0.012	0.009	0.015	0.008	0.014
D	-	0.980	-	1.400	-	1.620	-	1.620	-	1.660
E	0.290	0.310	0.295	0.320	0.300	0.325	0.390	0.425	0.600	0.615
E1	0.263	0.293	0.278	0.298	0.280	0.298	0.340	0.390	0.541	0.557
e	0.100 BSC		0.100 BSC		0.100 BSC		0.100 BSC		0.100 BSC	
eA	0.310	0.350	0.330	0.380	0.330	0.380	0.430	0.470	0.625	0.665
L	0.110	0.130	0.120	0.140	0.110	0.142	0.118	0.162	0.12	0.14
$\alpha$	0°	15°	0°	15°	0°	15°	0°	15°	0°	15°
S	-	0.040	-	0.055	-	0.060	-	0.065	-	0.085

Dimensions in inches





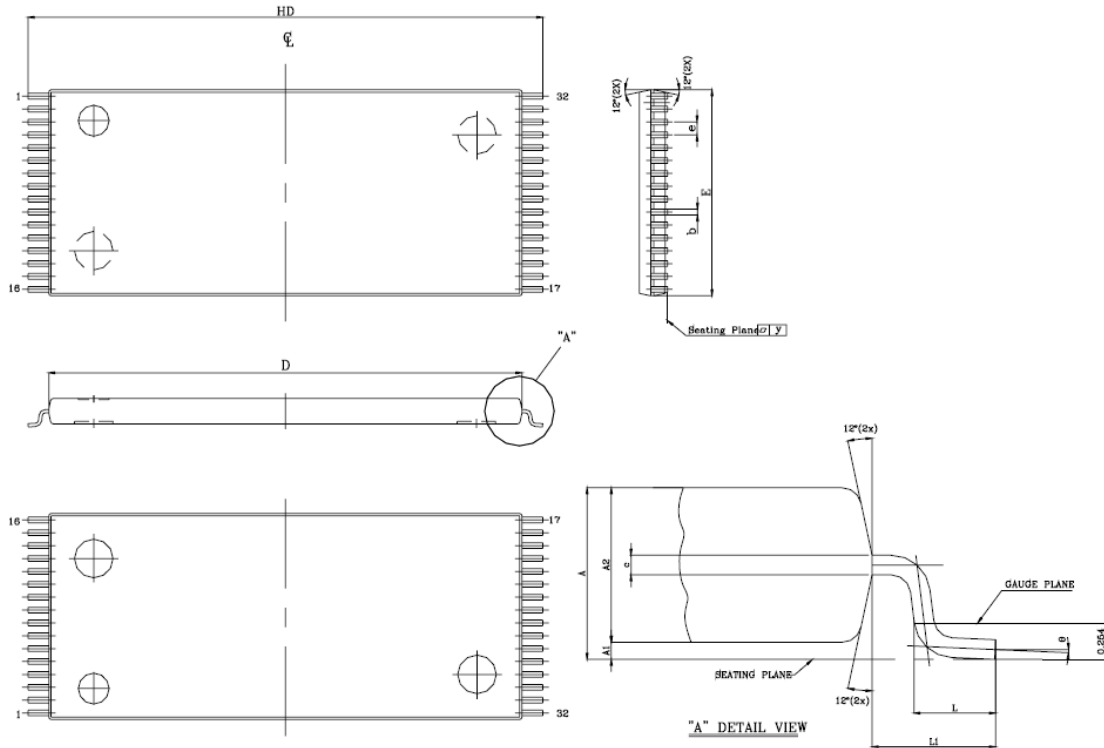
32 pin 450 mil SOP Package Outline Dimension



SYM.	UNIT	INCH.(BASE)	MM(REF)
A		0.118 (MAX)	2.997 (MAX)
A1		0.004(MIN)	0.102(MIN)
A2		0.111(MAX)	2.82(MAX)
b		0.016(TYP)	0.406(TYP)
c		0.008(TYP)	0.203(TYP)
D		0.817(MAX)	20.75(MAX)
E		0.445 $\pm$ 0.005	11.303 $\pm$ 0.127
E1		0.555 $\pm$ 0.012	14.097 $\pm$ 0.305
e		0.050(TYP)	1.270(TYP)
L		0.0347 $\pm$ 0.008	0.881 $\pm$ 0.203
L1		0.055 $\pm$ 0.008	1.397 $\pm$ 0.203
S		0.026(MAX)	0.660 (MAX)
y		0.004(MAX)	0.101(MAX)
$\Theta$		0° -10°	0° -10°



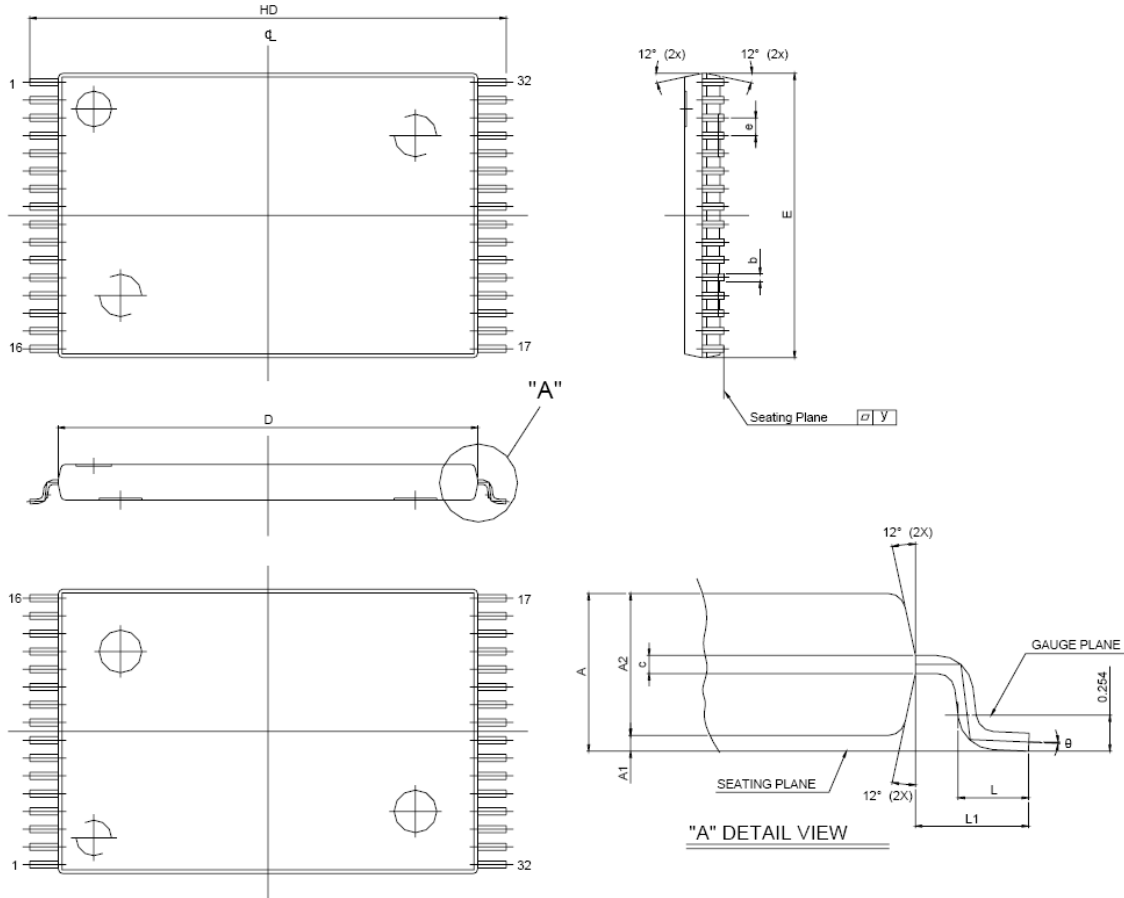
32 pin 8mm x 20mm TSOP-I Package Outline Dimension



SYM.	UNIT	INCH(BASE)	MM(REF)
A		0.047 (MAX)	1.20 (MAX)
A1		0.004 ±0.002	0.10 ±0.05
A2		0.039 ±0.002	1.00 ±0.05
b		0.008 + 0.002 - 0.001	0.20 + 0.05 - 0.03
c		0.005 (TYP)	0.127 (TYP)
D		0.724 ±0.004	18.40 ±0.10
E		0.315 ±0.004	8.00 ±0.10
e		0.020 (TYP)	0.50 (TYP)
HD		0.787 ±0.008	20.00 ±0.20
L		0.0197 ±0.004	0.50 ±0.10
L1		0.0315 ±0.004	0.08 ±0.10
y		0.003 (MAX)	0.076 (MAX)
∅		0°~5°	0°~5°



32 pin 8mm x 13.4mm sTSOP Package Outline Dimension



SYM.	UNIT	INCH(BASE)	MM(REF)
A		0.049 (MAX)	1.25 (MAX)
A1		0.005 ±0.002	0.130 ±0.05
A2		0.039 ±0.002	1.00 ±0.05
b		0.008 ±0.01	0.20±0.025
c		0.005 (TYP)	0.127 (TYP)
D		0.465 ±0.004	11.80 ±0.10
E		0.315 ±0.004	8.00 ±0.10
e		0.020 (TYP)	0.50 (TYP)
HD		0.528±0.008	13.40 ±0.20.
L		0.0197 ±0.004	0.50 ±0.10
L1		0.0315 ±0.004	0.8 ±0.10
y		0.003 (MAX)	0.076 (MAX)
∅		0°~5°	0°~5°