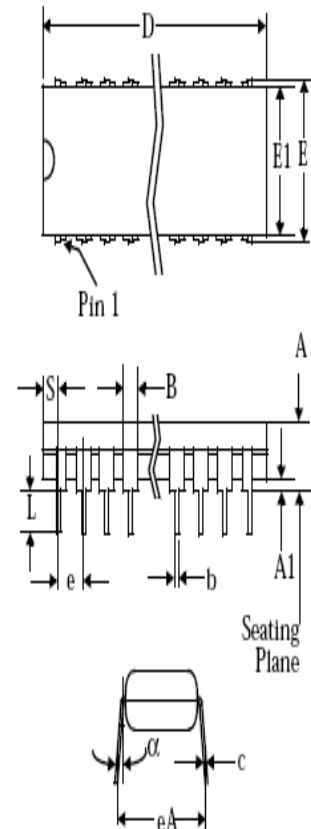




Plastic dual in-line package (PDIP)

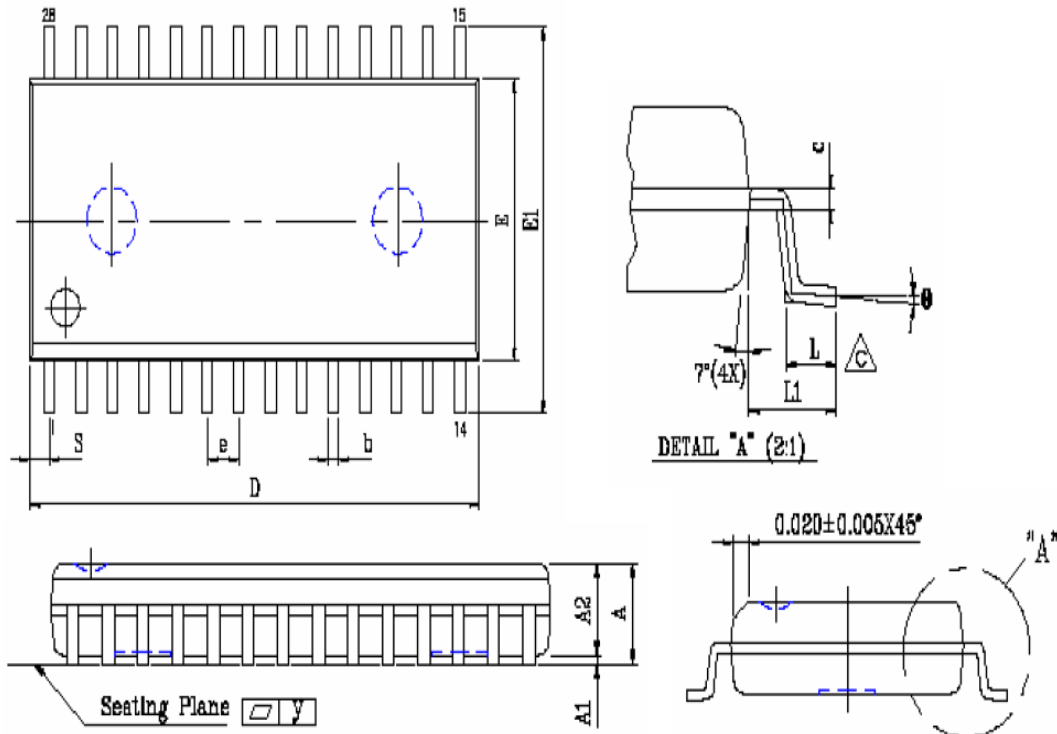
	20-pin 300 mil		28-pin 300 mil		32-pin 300 mil		32-pin 400 mil		32-pin 600 mil	
	Min	Max	Min	Max	Min	Max	Min	Max	Min	Max
A	-	0.175	-	0.180	-	0.180	-	0.200	-	0.220
A1	0.010	-	0.010	-	0.015	-	0.015	-	0.015	-
B	0.046	0.054	0.040	0.065	0.045	0.055	0.045	0.065	0.030	0.070
b	0.018	0.024	0.014	0.022	0.014	0.022	0.014	0.022	0.014	0.022
c	0.008	0.014	0.008	0.014	0.008	0.012	0.009	0.015	0.008	0.014
D	-	0.980	-	1.400	-	1.620	-	1.620	-	1.660
E	0.290	0.310	0.295	0.320	0.300	0.325	0.390	0.425	0.600	0.615
E1	0.263	0.293	0.278	0.298	0.280	0.298	0.340	0.390	0.541	0.557
e	0.100 BSC		0.100 BSC		0.100 BSC		0.100 BSC		0.100 BSC	
eA	0.310	0.350	0.330	0.380	0.330	0.380	0.430	0.470	0.625	0.665
L	0.110	0.130	0.120	0.140	0.110	0.142	0.118	0.162	0.12	0.14
α	0°	15°	0°	15°	0°	15°	0°	15°	0°	15°
S	-	0.040	-	0.055	-	0.060	-	0.065	-	0.085

Dimensions in inches





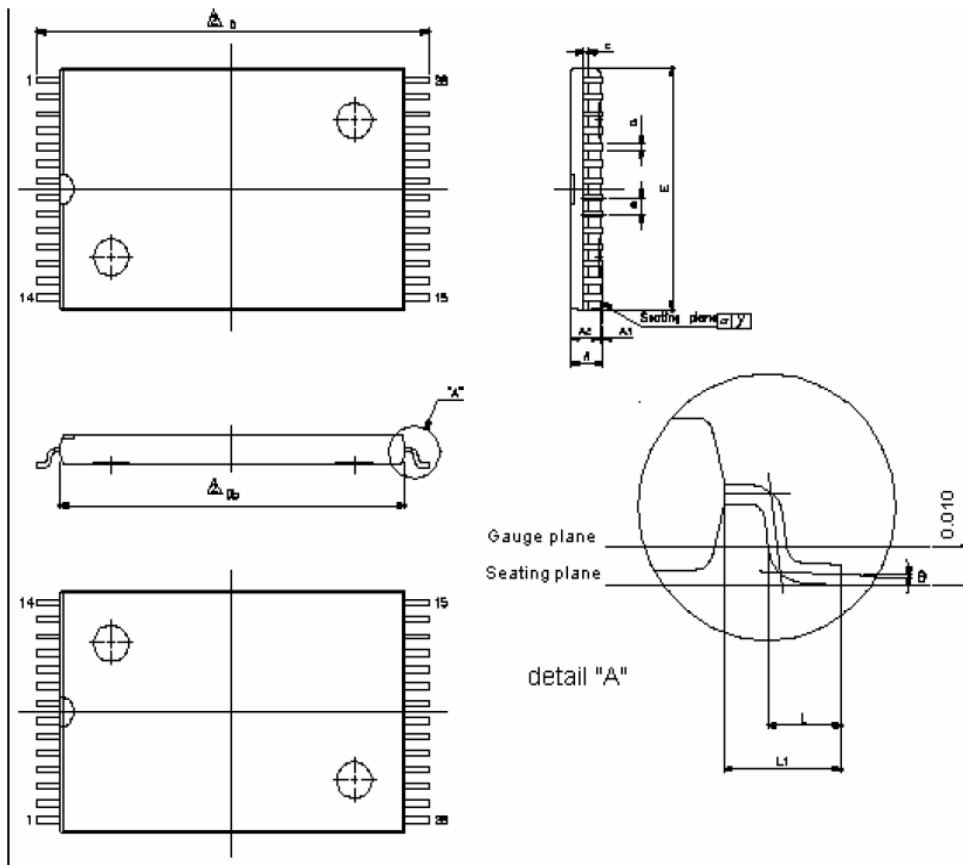
28 pin 330 mil SOP Package Outline Dimension



SYM.	UNIT	INCH(BASE)	MM(REF)
A		0.120 (MAX)	3.048 (MAX)
A1		0.002(MIN)	0.05(MIN)
A2		0.098±0.005	2.489±0.127
b		0.016 (TYP)	0.406(TYP)
c		0.010 (TYP)	0.254(TYP)
D		0.728 (MAX)	18.491 (MAX)
E		0.340 (MAX)	8.636 (MAX)
E1		0.465±0.012	11.811±0.305
e		0.050 (TYP)	1.270(TYP)
L		0.05 (MAX)	1.270 (MAX)
L1		0.067±0.008	1.702 ±0.203
S		0.047 (MAX)	1.194 (MAX)
y		0.003(MAX)	0.076(MAX)
Θ		0°~10°	0°~10°



28 pin 8mm x 13.4mm sTSP Package Outline Dimension



SYM.	UNIT	INCH(BASE)	MM(REF)
A		0.047 (MAX)	1.20 (MAX)
A1		0.004±0.002	0.10±0.05
A2		0.039±0.002	1.00±0.05
b		0.006 (TYP)	0.15(TYP)
c		0.010 (TYP)	0.254(TYP)
Db		0.465±0.004	11.80±0.10
E		0.315±0.004	8.00±0.10
e		0.022 (TYP)	0.55(TYP)
D		0.528±0.008	13.40±0.20
L		0.020±0.004	0.50±0.10
L1		0.0315±0.004	0.80±0.10
y		0.08(MAX)	0.003(MAX)
Θ		0°~5°	0°~5°

Note : E dimension is not including end flash. The total of both sides' end flash is not above 0.3mm.