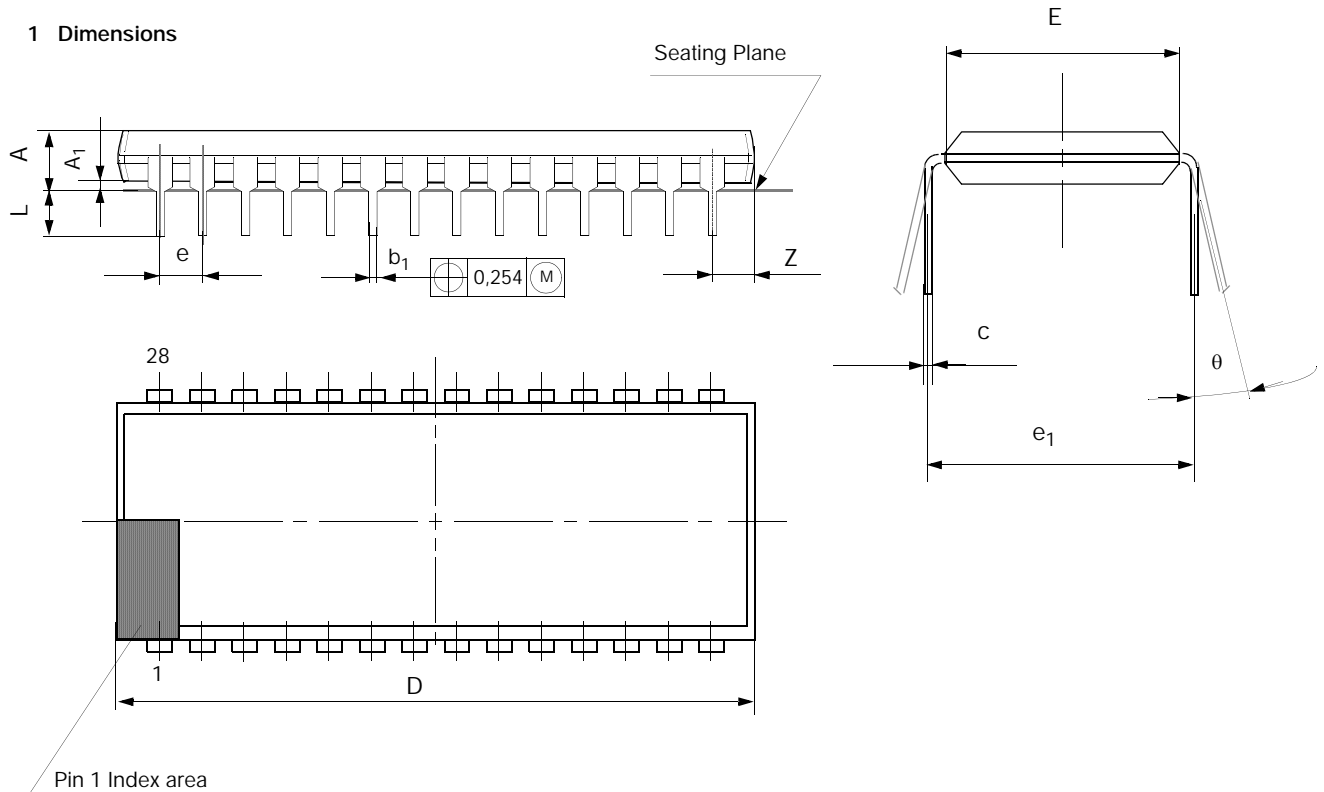
	<b>Package PDIP28</b> (600 mil)	<b>MDS</b> <b>713</b>
---	------------------------------------	--------------------------

Supersedes  
Edition 11.95

Dimensions in millimetres

Based on IEC 191-2N: Type 051G06

## 1 Dimensions



Dimensions of Sub-Group B1	
$A_{max}$	5,10
$A_{1min}$	0,38
$b_{1min}^{**}$	0,35
$b_{1max}^{**}$	0,59
$c_{min}$	0,20
$c_{max}$	0,36
$e_{nom}$	2,54
$e_{1nom}$	15,24
$E_{min}^*$	13,60
$E_{max}^*$	14,30
$L_{min}$	2,60
$Z_{max}$	2,54


Dimensions of Sub-Group C1	
$A_{min}$	3,00
$A_{1max}$	1,80
$L_{max}$	5,00
$D_{min}^*$	36,70
$D_{max}^*$	37,50
$\theta_{min}$	0°
$\theta_{max}$	15°

\* without mold-flash

\*\*The lead position tolerance requires slots with a minimum diameter of 0,7mm. The spacing between adjacent slots is 2,54mm.

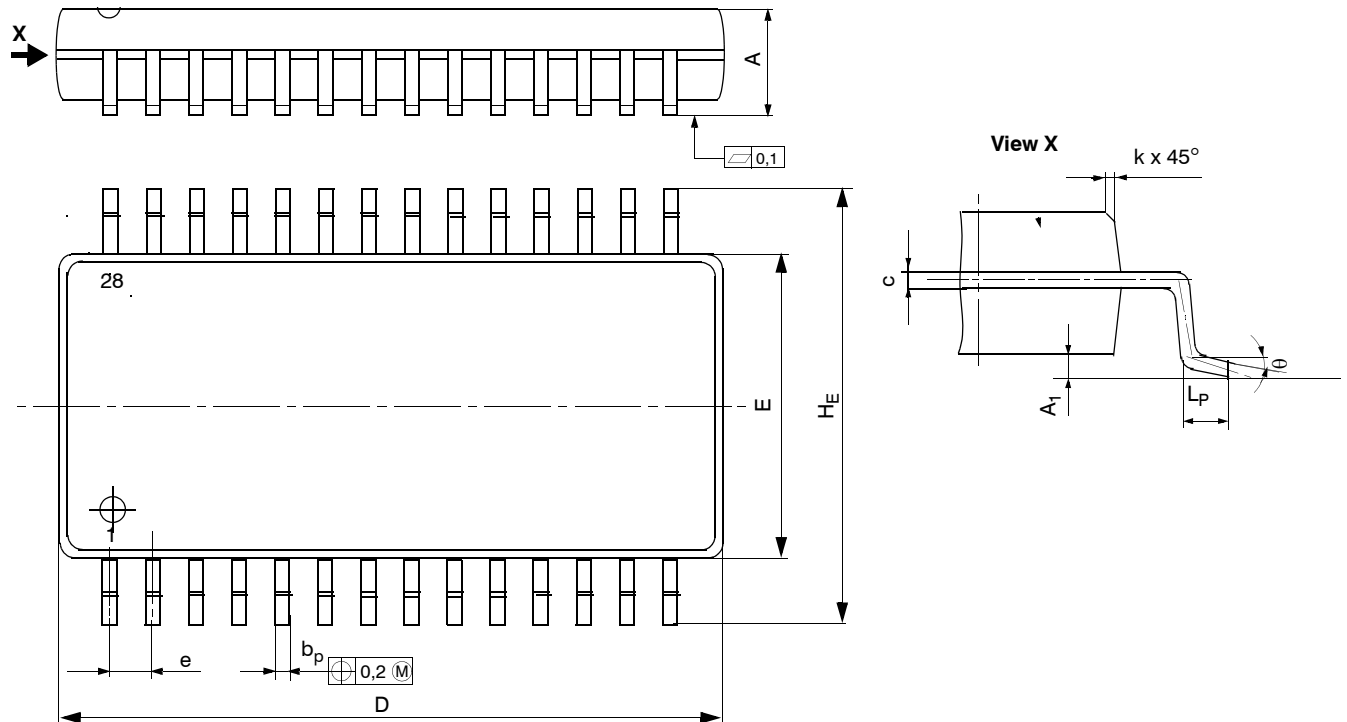
- 2 Weight**  $\leq 4,0$  g
- 3 Package Body Material** Low Stress Epoxy
- 4 Lead Material** FeNi-Alloy or Cu-Alloy
- 5 Lead Finish** solder plating

Zentrum Mikroelektronik Dresden AG		
Editor: signed Schoder	Date: 27.11.2001	Doc-No. QS-000713-HD-03
Check: signed Marx	Quality signed Lorenz:	

	<b>Package SOP28 (330 mil) Type 2</b>	<b>MDS 765</b>
---	---	--------------------

Dimensions in millimetres

Based on JEDEC: JEP95 MO-059 AD

**1 Dimensions**

Dimensions of Sub-Group B1	
A <sub>max</sub>	2,85
b <sub>Pmin</sub>	0,35
b <sub>Pmax</sub>	0,51
e <sub>nom</sub>	1,27
H <sub>Emin</sub>	11,50
H <sub>Emax</sub>	12,12
L <sub>Pmin</sub>	0,71

Dimensions of Sub-Group C1	
A <sub>min</sub>	—
A <sub>1min</sub>	0,10
A <sub>1max</sub>	—
c <sub>min</sub>	0,20
c <sub>max</sub>	0,36
D <sub>min</sub>	—
D <sub>max</sub> *	18,62
E <sub>min</sub>	8,28
E <sub>max</sub> *	8,53
θ <sub>min</sub>	0°
θ <sub>max</sub>	10°

\* without mold-flash

- 2 Weight** ≤ 0,8 g  
**3 Package Body Material** Low Stress Epoxy  
**4 Lead Material** FeNi-Alloy or Cu-Alloy  
**5 Lead Finish** solder plating  
**6 Lead Form** Z-bends

Zentrum Mikroelektronik Dresden AG		
Editor: signed Schoder	Date: 18.09.2002	Doc-No. QS-000765-HD-01
Check: signed Marx	Quality: signed Kochan	