

Packing Procedure

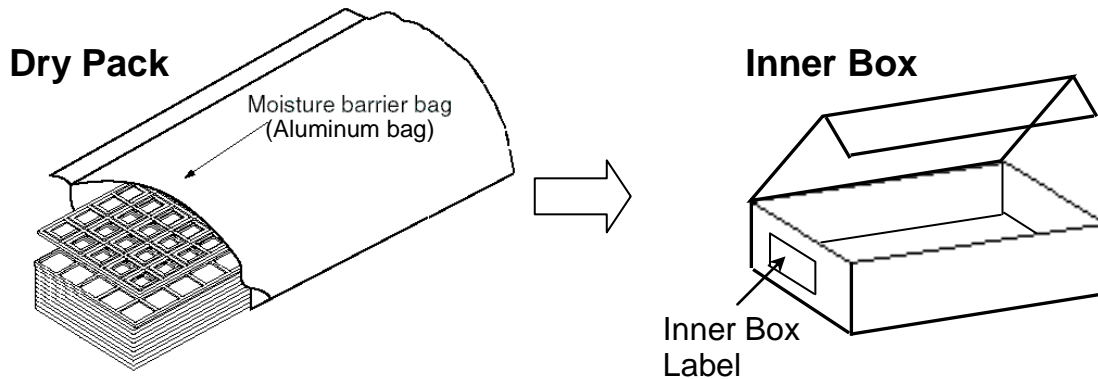
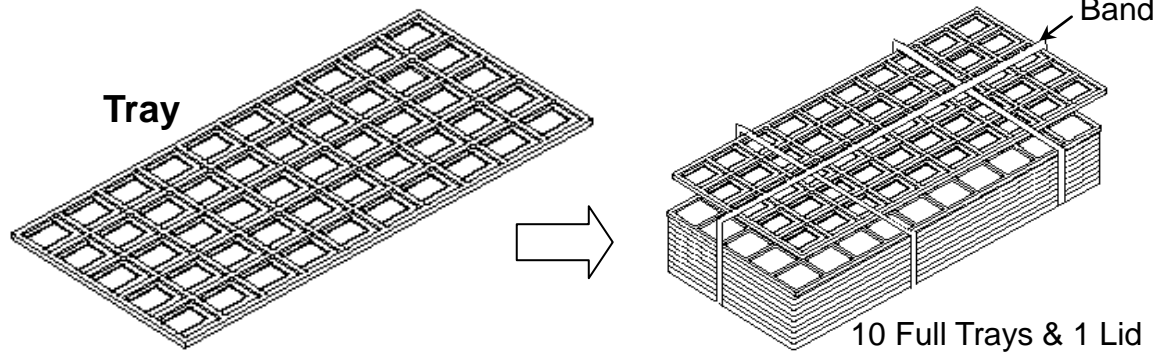
For 7.5x13.5 96B BGA Product

Table of Contents

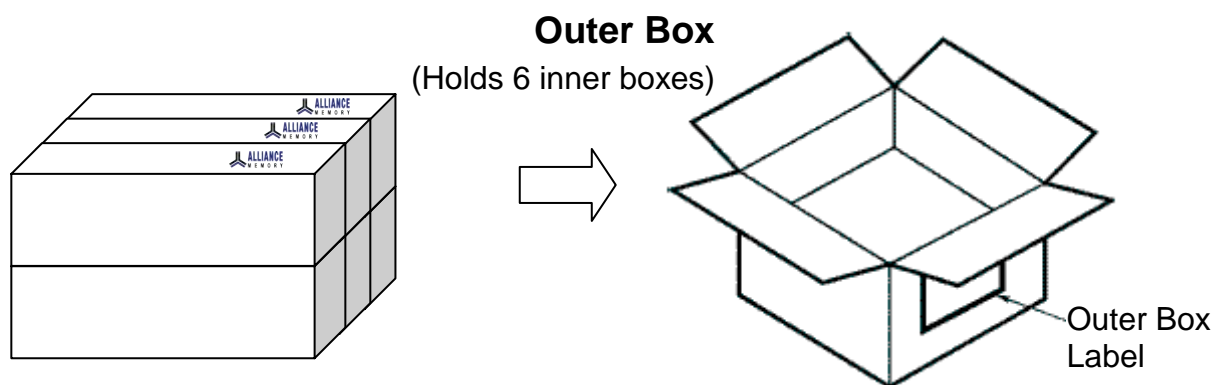
(1) PACKING PROCEDURE	1
(2) PACKAGING QUANTITY	2
(3) SPECIFICATION OF SHIPPING BOX	4
(4) PACKING DRAWING.....	9

(1) Packing Procedure -1

■ Packing procedure for Tray

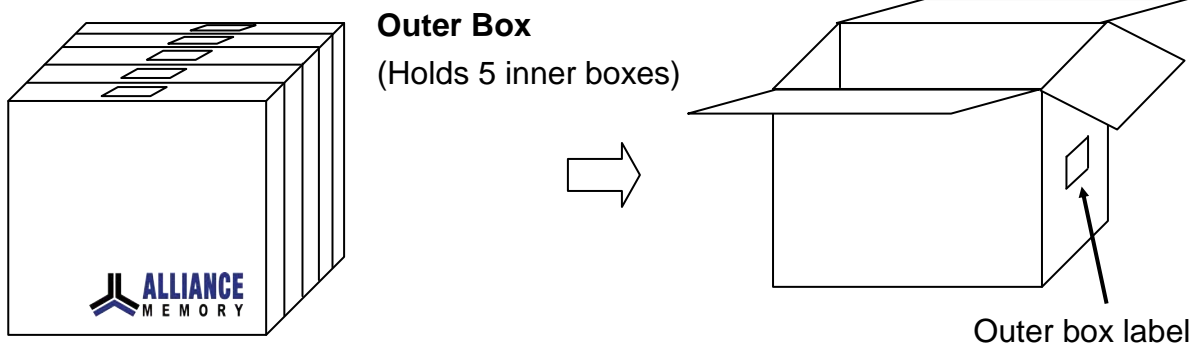
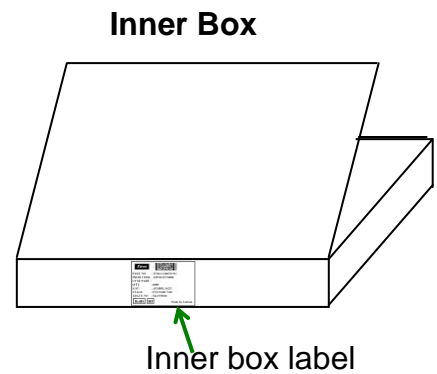
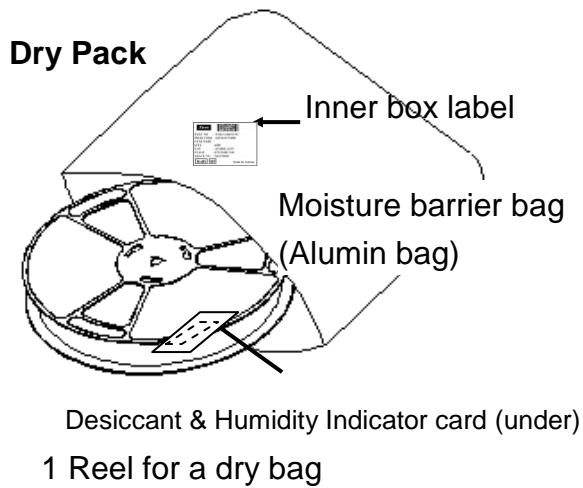
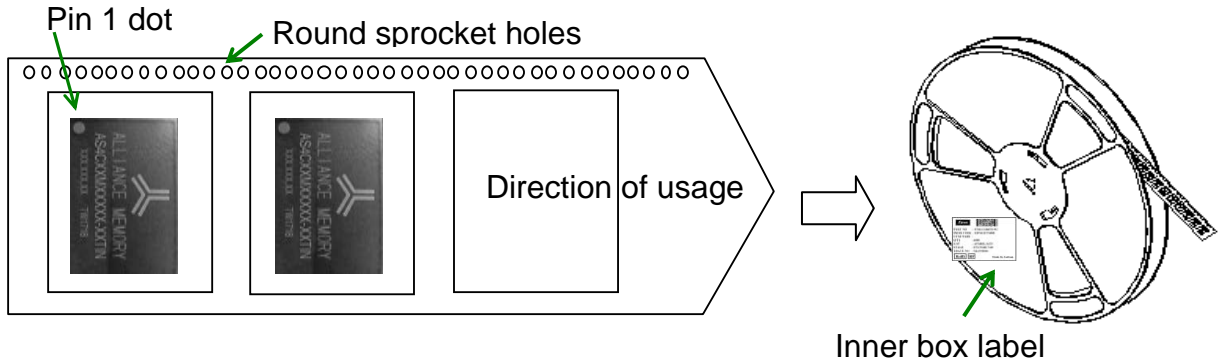


Desiccant & Humidity Indicator card (under)
10 Trays & 1 Cover Tray for a Bag



(1) Packing Procedure -2

■ Packing procedure for Tape & Reel



(2) Packaging Quantity

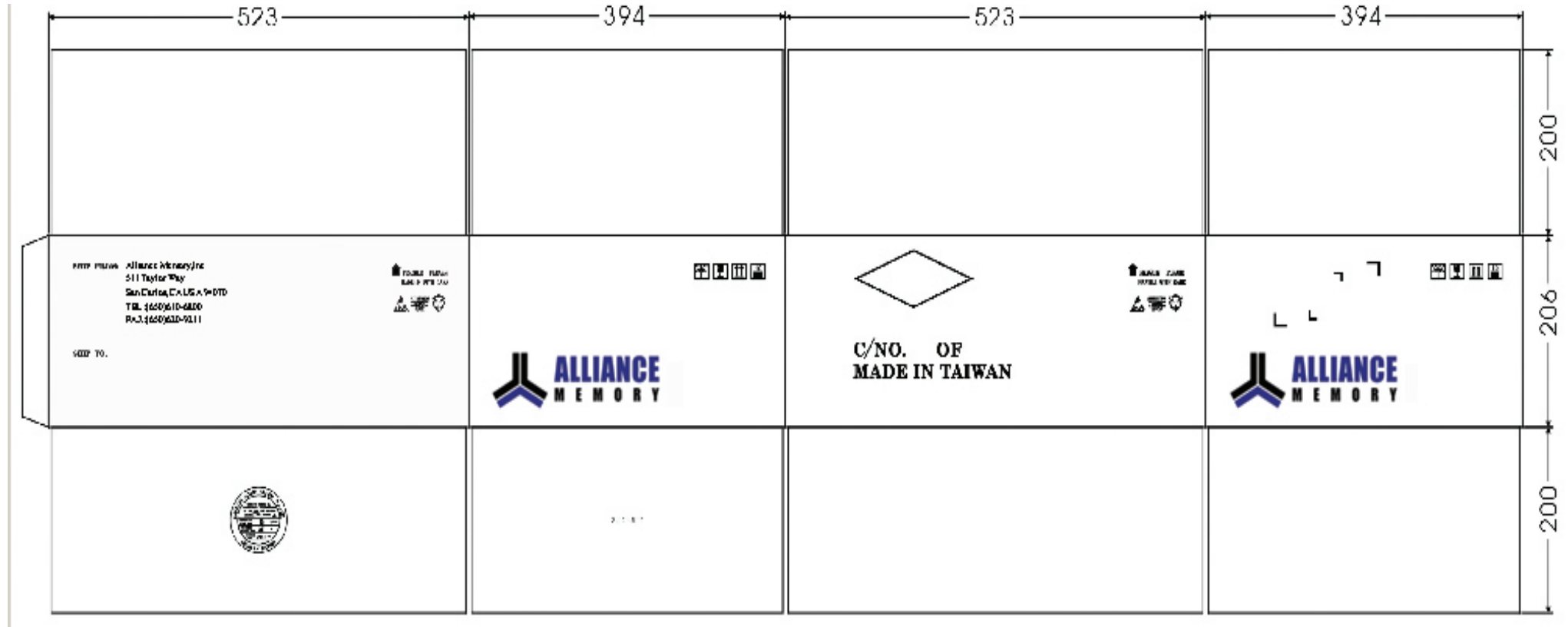
■ Quantity of Container

The quantity for each container is described as below table for reference.

Pkg. Type	Packing Qty	Dry Bag	Inner Box	Outer Box
7.5*13.5 96 Ball-BGA	209 ea/Tray	10 Tray (2090 ea)	1 Dry Bag (2090 ea)	6 Inner Boxes (12540 ea)
	2500 ea/T&R	1 Reel (2500 ea)	1 Dry Bag (2500 ea)	5 Inner Boxes (12500 ea)

(3) Specification of Shipping Box -1

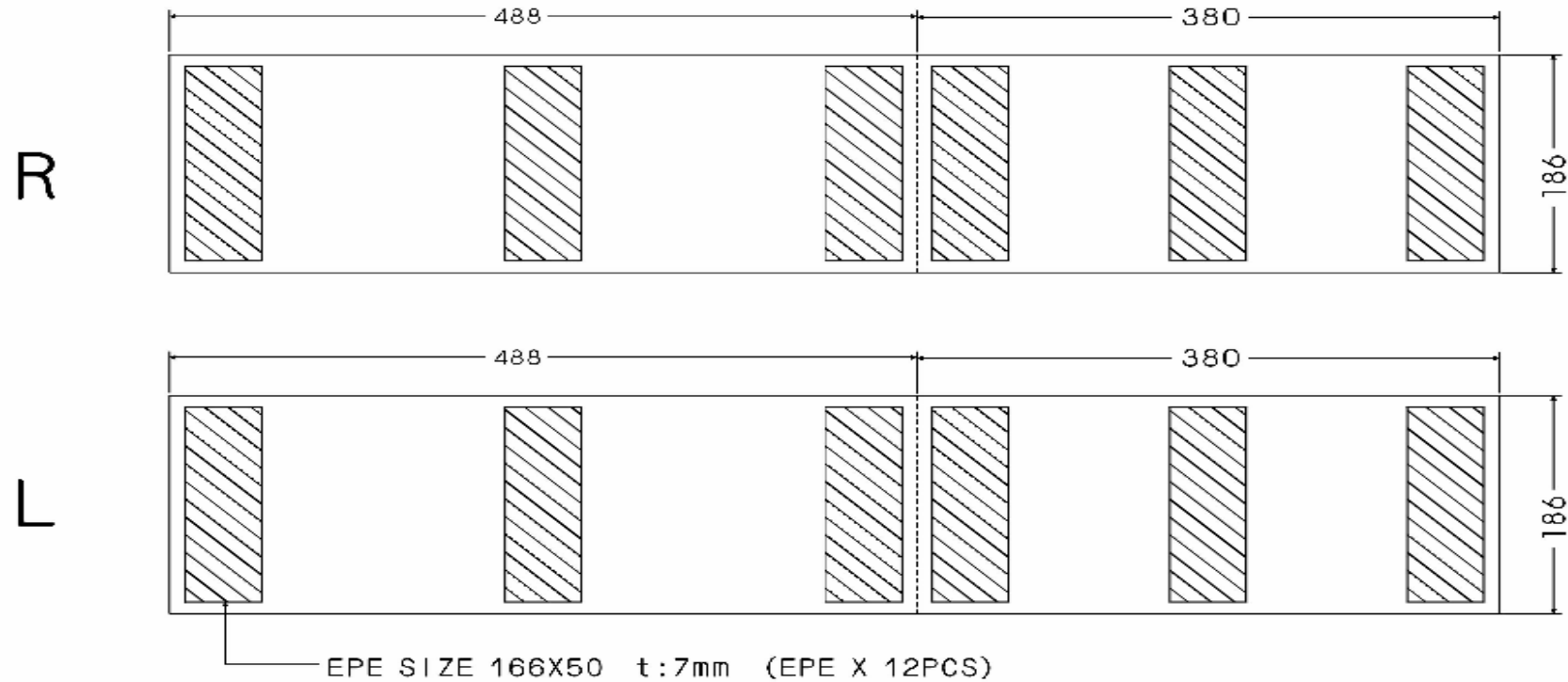
■ Tray Outer Box Drawing



Tolerance: $\pm 5\text{mm}$

(3) Specification of Shipping Box -2

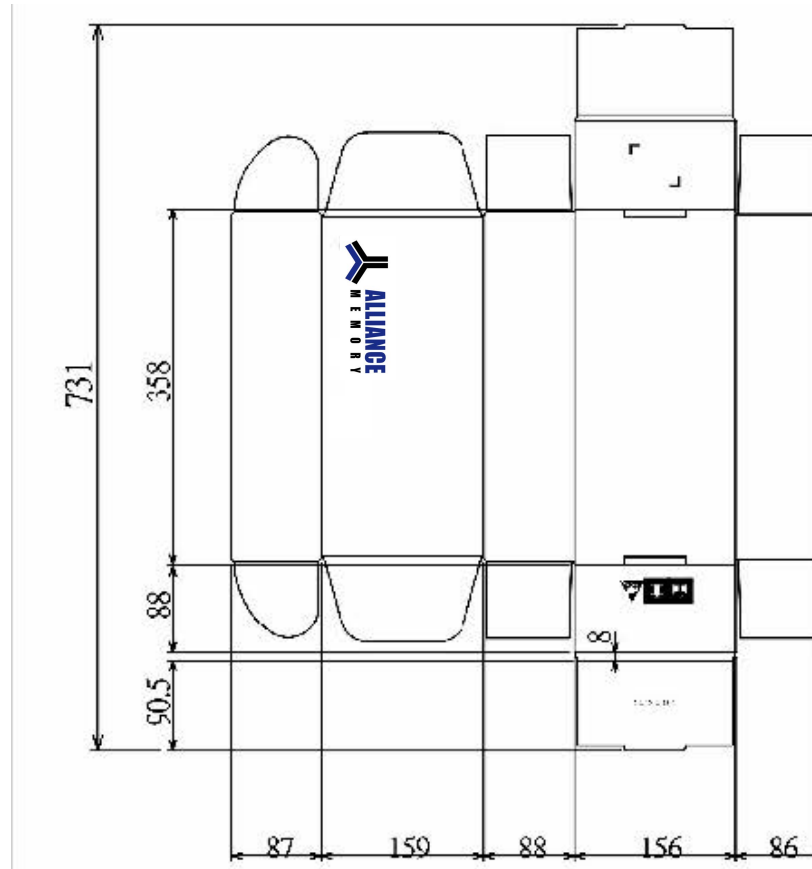
■ Tray Outer Box Drawing-buffer



Tolerance: $\pm 3\text{mm}$

(3) Specification of Shipping Box -2

■ Tray Inner Box Drawing

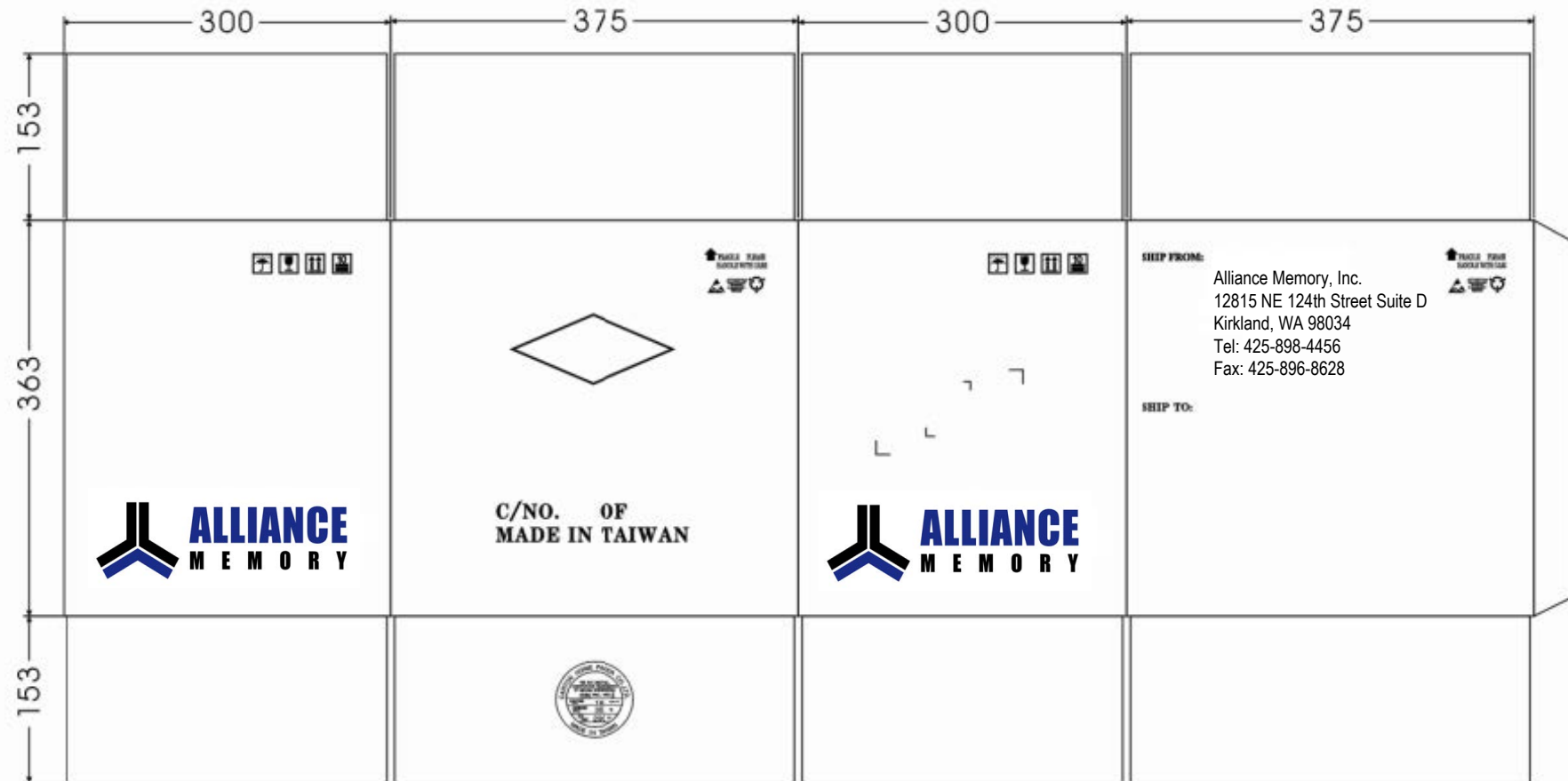


Tolerance: $\pm 3\text{mm}$



(3) Specification of Shipping Box -3

■ T/R Outer Box Drawing

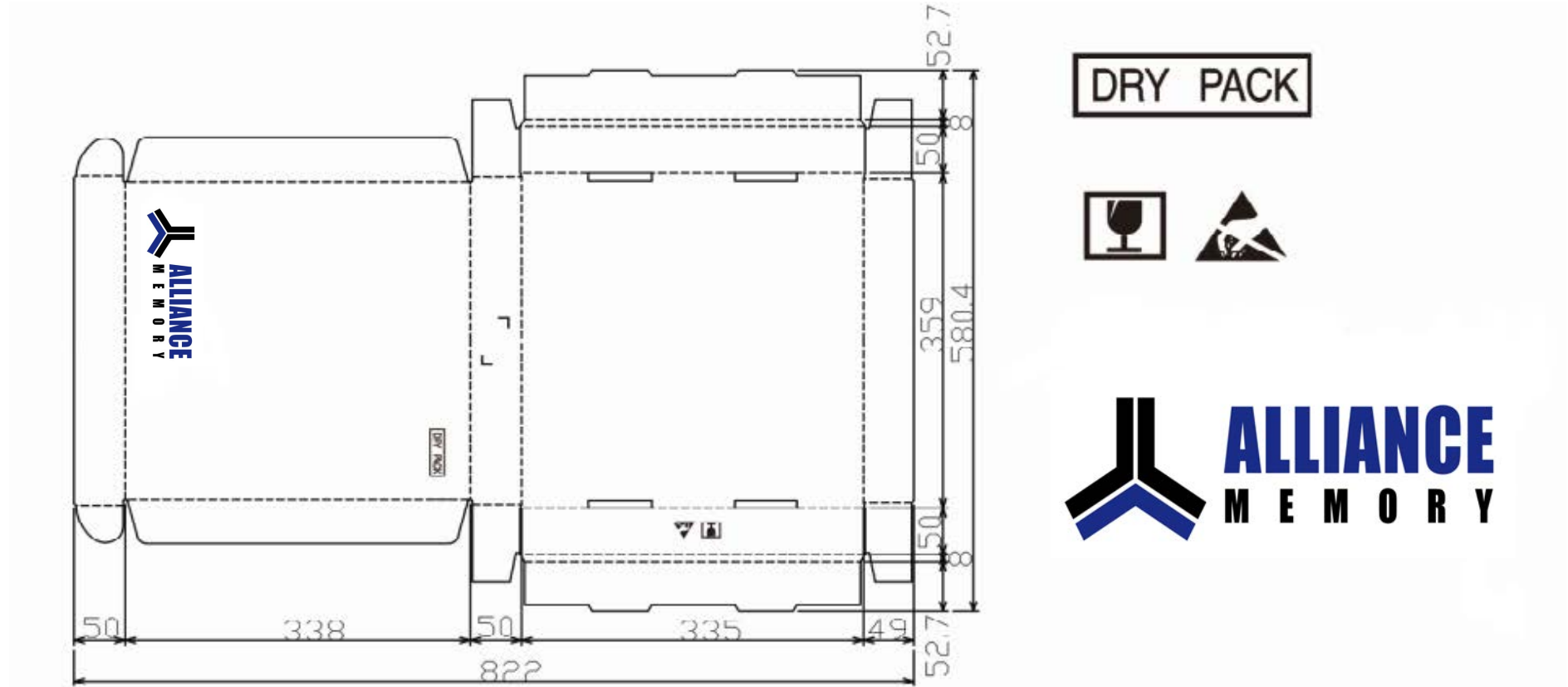


Tolerance: $\pm 5\text{mm}$

Alliance Memory Inc. 12815 NE 124th Street Suite D, Kirkland WA 98034 USA
Alliance Memory Inc. reserves the right to change products or specification without notice.

(3) Specification of Shipping Box -4

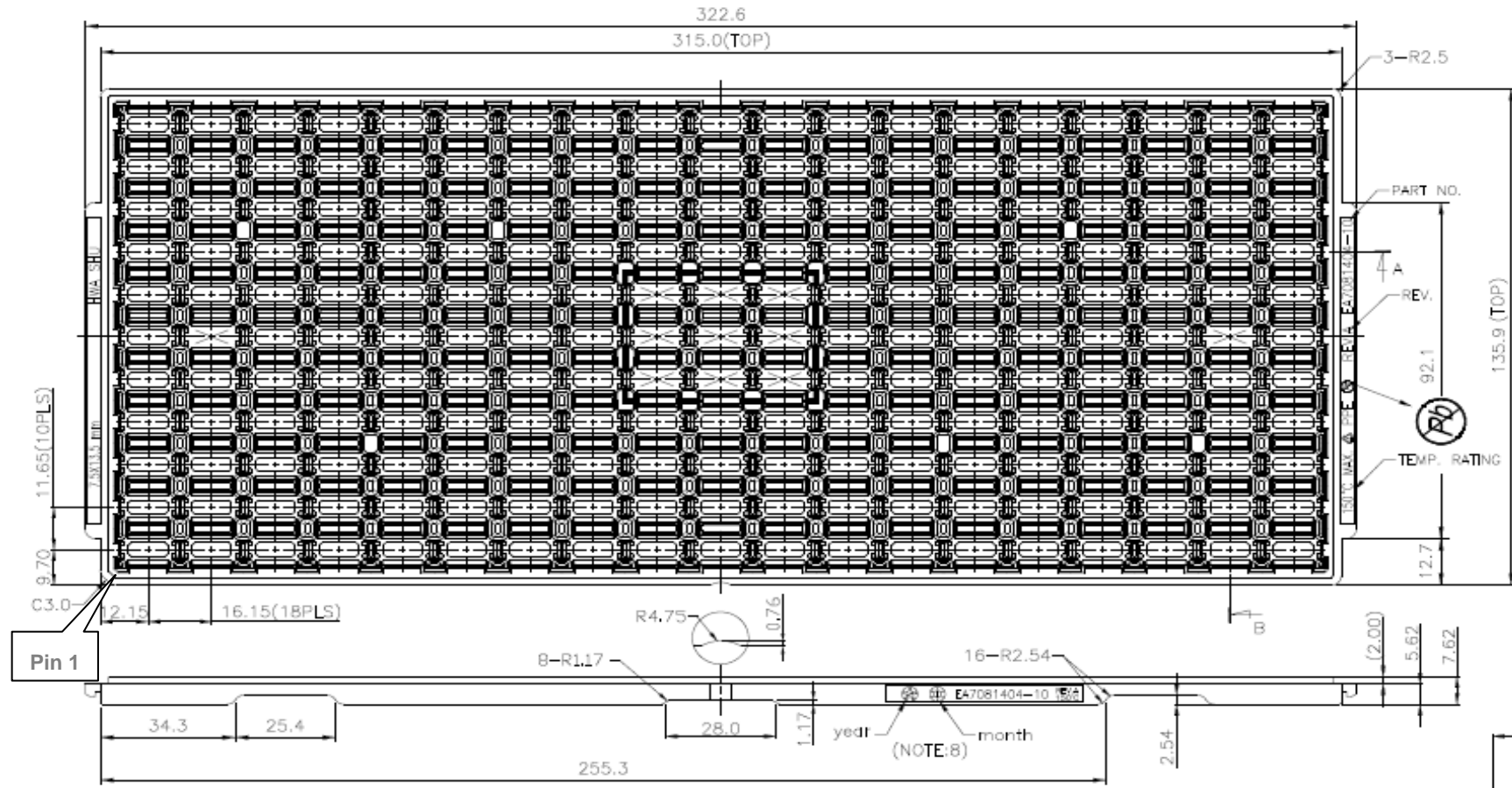
■ T/R Inner Box Drawing



Tolerance: $\pm 5\text{mm}$

(4) Packing Drawing -1

- Tray Drawing of 7.5x13.5 96B WBGA

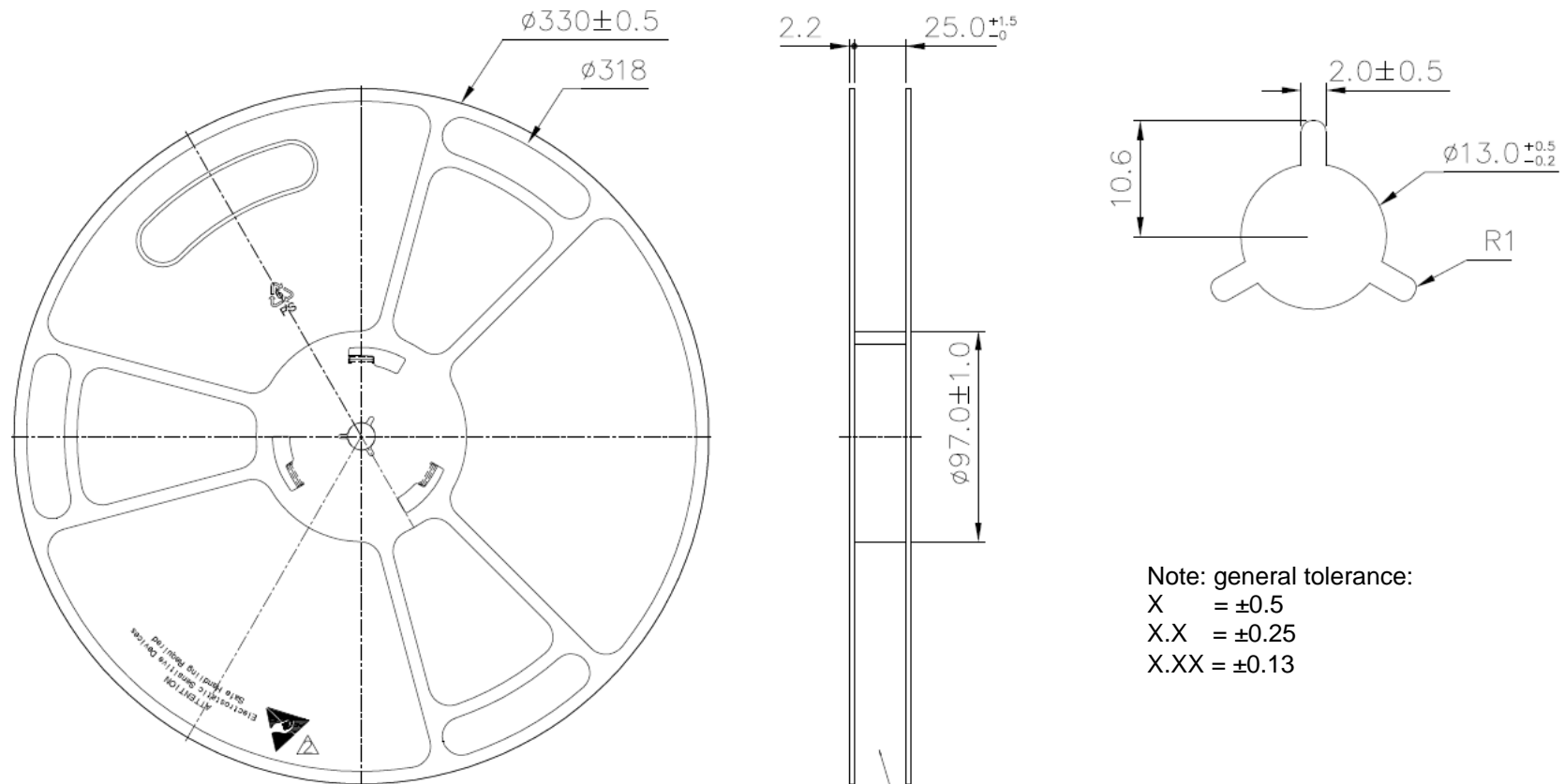


Note: general tolerance: X=±0.5 X.X=±0.25 X.XX=±0.13

Alliance Memory Inc. 12815 NE 124th Street Suite D, Kirkland WA 98034 USA
 Alliance Memory Inc. reserves the right to change products or specification without notice.

(4) Packing Drawing -2

■ Lock Reel Drawing of 7.5x13.5 96B-WBGA



Note: general tolerance:

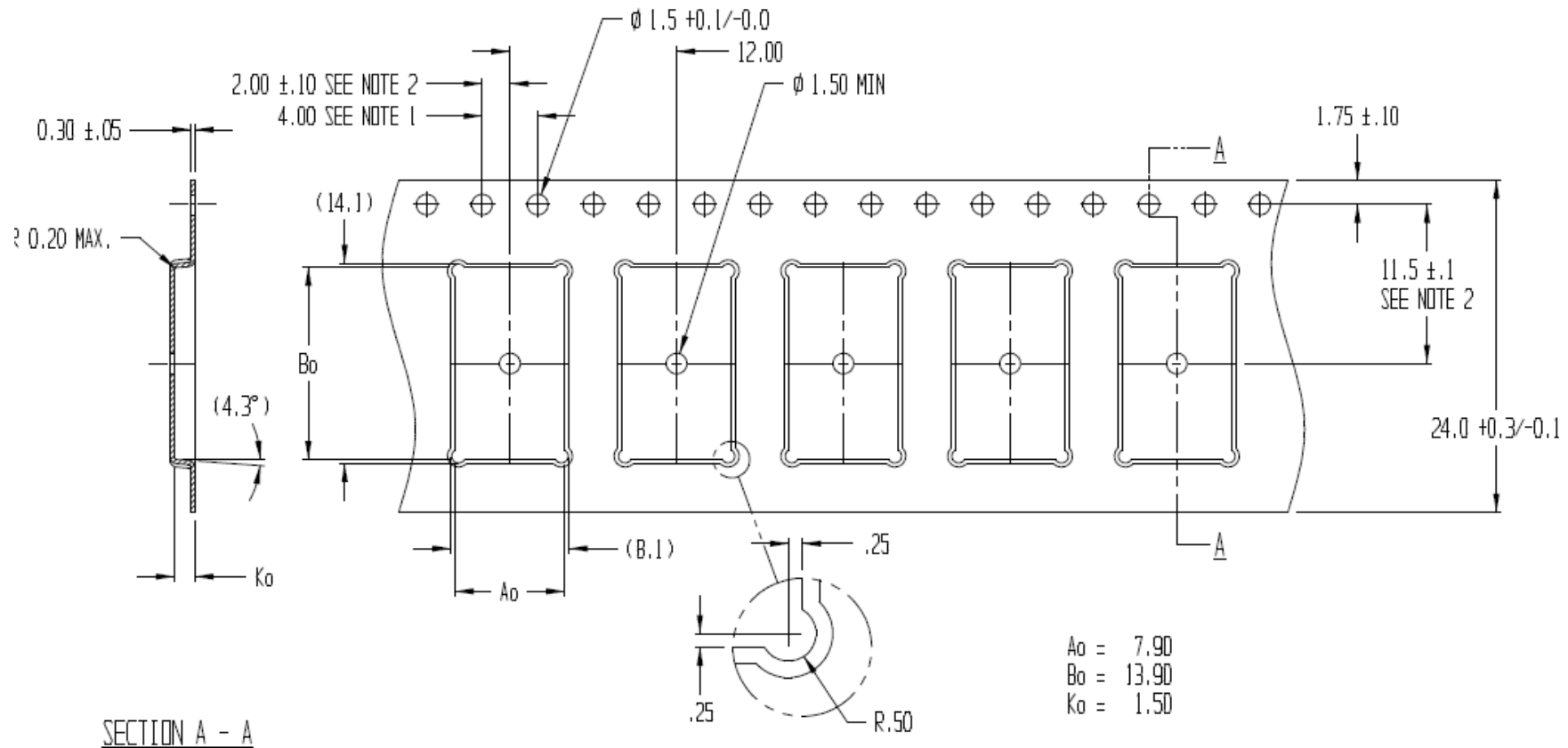
X = ± 0.5

X.X = ± 0.25

X.XX = ± 0.13

(4) Packing Drawing -3

- Carrier Tape Drawing of 7.5x13.5 96B-WBGA



Note: general tolerance: $X = \pm 1$ $X.X = \pm 0.25$ $X.XX = \pm 0.13$

Alliance Memory Inc. 12815 NE 124th Street Suite D, Kirkland WA 98034 USA
 Alliance Memory Inc. reserves the right to change products or specification without notice.